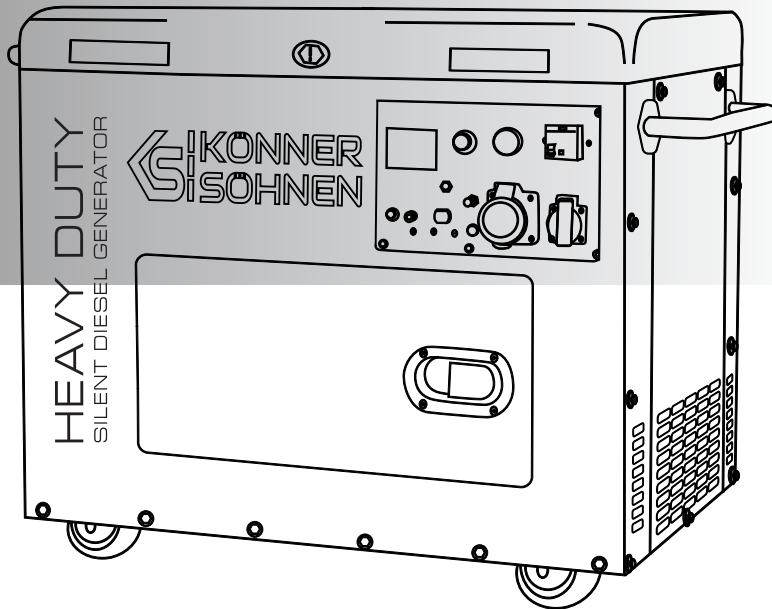


HEAVY DUTY SILENT DIESEL GENERATOR EXPLODED VIEW

KS 9200HDE ATSR



TRADITIONELLE DEUTSCHE QUALITÄT

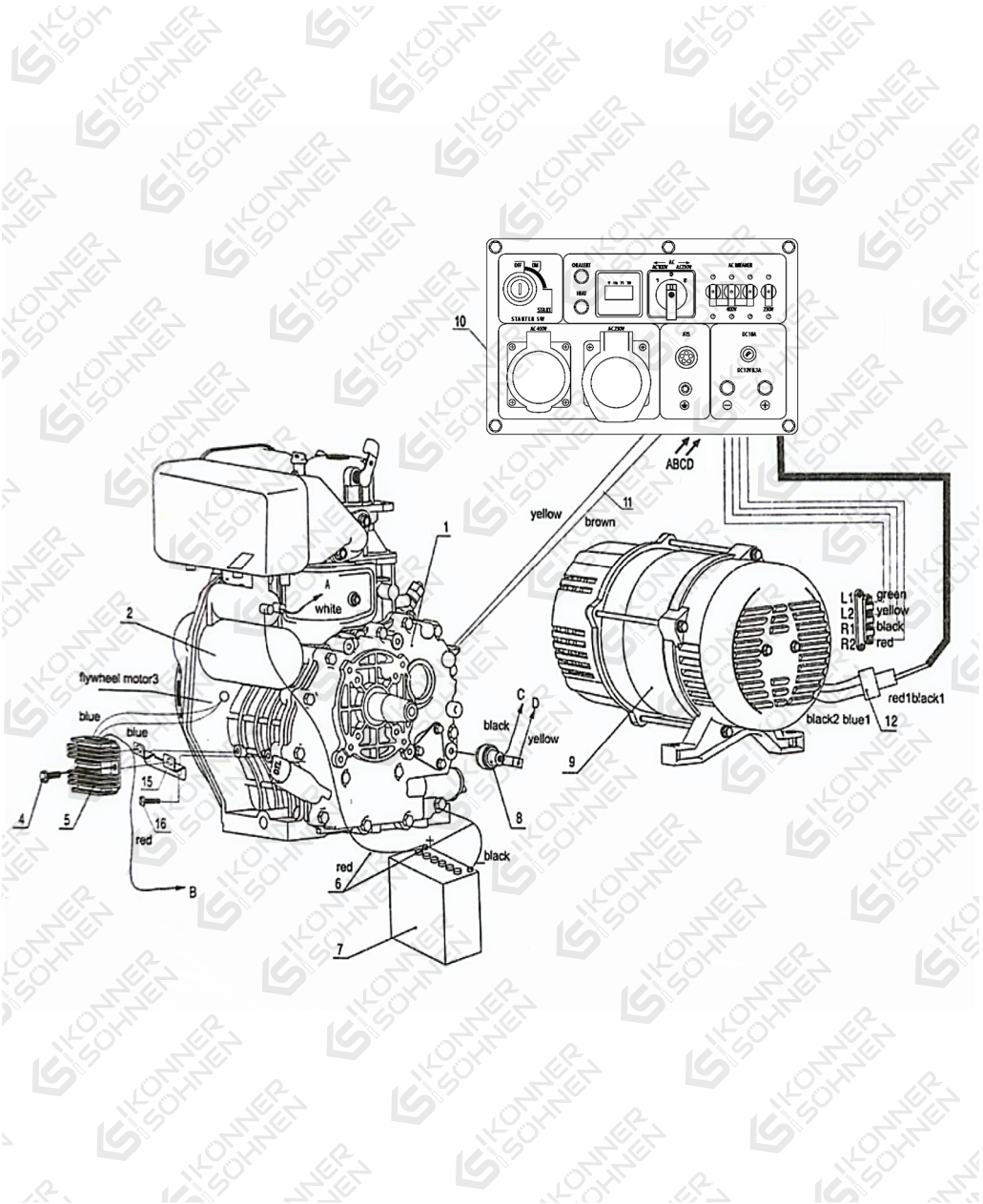
CONTENTS

1. Parts of generator	2
2. Parts of engine	6
3. Parts of alternator	22
4. Parts of panel	24
5. Parts of fuel tank	26
6. Overall view of engine generator assembly	28
7. Electric scheme	32

! This material is for informational purposes only and is not an instruction. The connection of the equipment in each case must be performed by a certified electrician, in accordance with local laws and regulations. Before connecting, we urge you to read the recommendations in the manual for the generator. The manufacturer is not responsible for improper connection of equipment, and is not responsible for possible material and physical damage that may occur as a result of improper installation, connection or operation of equipment.

KS 9200HDE ATSR

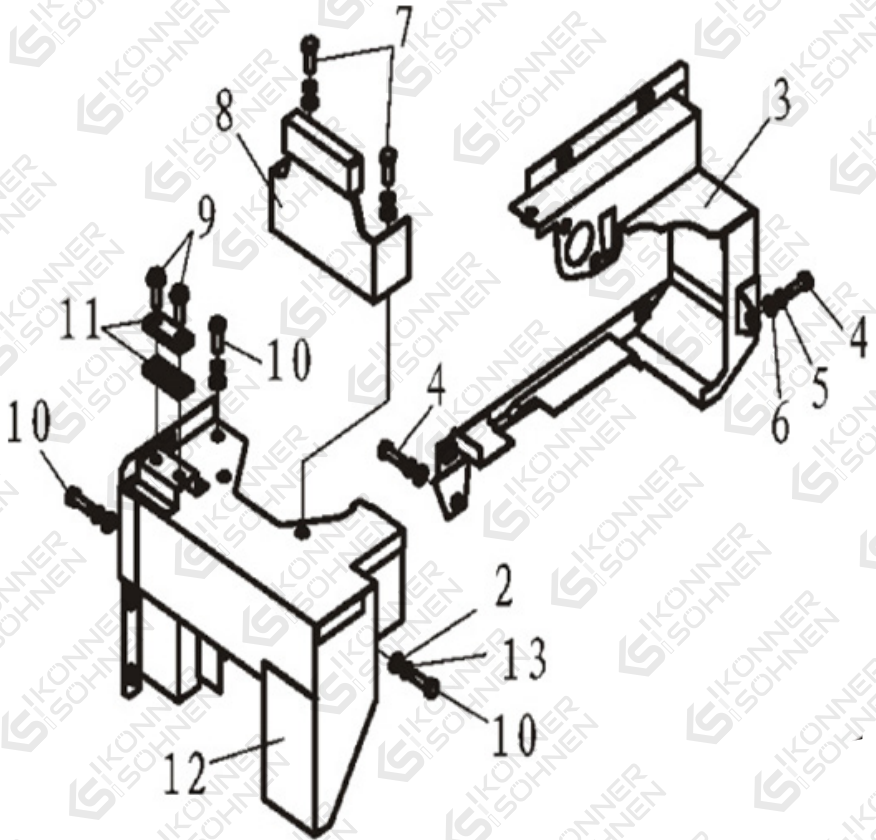
1. Parts of generator



No	REF. No	DESCRIPTION	QTY
1	KS 9200HDE ATSR -1-001	AT series diesel engine	1
2	KS 9200HDE ATSR -1-002	Starter Motor	1
3	KS 9200HDE ATSR -1-003	Flywheel generator	1
4	KS 9200HDE ATSR -1-004	Bolt	2
5	KS 9200HDE ATSR -1-005	Voltage Regulator	1
6	KS 9200HDE ATSR -1-006	Battery Cable (red, black)	2
7	KS 9200HDE ATSR -1-007	Battery	1
8	KS 9200HDE ATSR -1-008	Oil level sensor	1
9	KS 9200HDE ATSR -1-009	Alternator	1
10	KS 9200HDE ATSR -1-010	Output panel assembly	1
11	KS 9200HDE ATSR -1-011	Throttle cable	2
12	KS 9200HDE ATSR -1-012	Connector assembly	1
15	KS 9200HDE ATSR -1-015	Voltage Regulator Bracket	1
16	KS 9200HDE ATSR -1-016	Bolt	2

KS 9200HDE ATSR

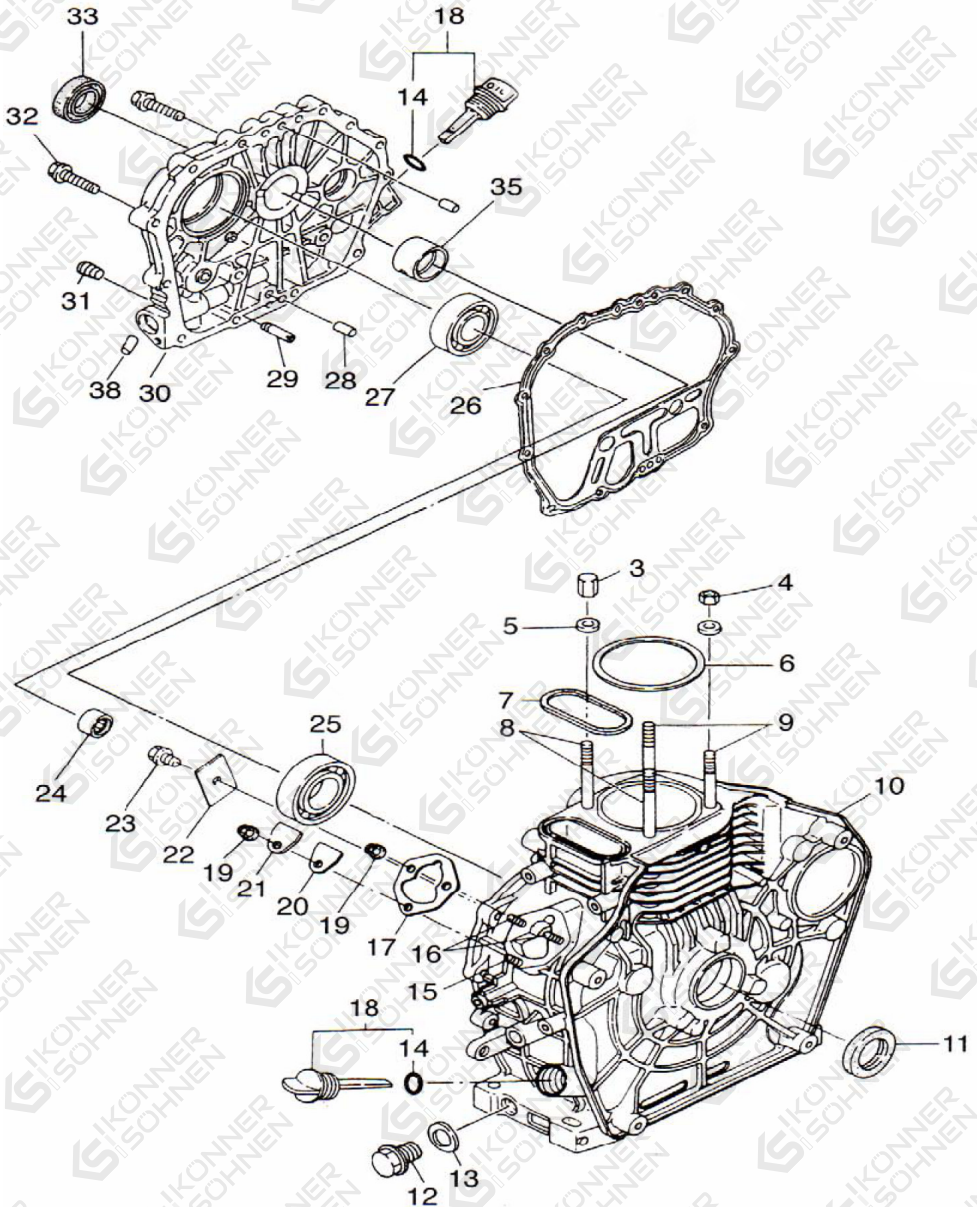
1.1 Diesel Engien Assembly



No	REF. No	DESCRIPTION	QTY
2	KS 9200HDE ATSR -1.1-002	Gasket 6	2
3	KS 9200HDE ATSR -1.1-003	Front Air Guide Plate	2
4	KS 9200HDE ATSR -1.1-004	Bolt M8X16	2
5	KS 9200HDE ATSR -1.1-005	Elastic Washers 8	2
6	KS 9200HDE ATSR -1.1-006	Flat Gasket 8	2
7	KS 9200HDE ATSR -1.1-007	Bolt M8X16	2
8	KS 9200HDE ATSR -1.1-008	Buffer Bracket Unit	2
9	KS 9200HDE ATSR -1.1-009	Bolt M6X30	2
10	KS 9200HDE ATSR -1.1-010	Bolt M6X20	2
11	KS 9200HDE ATSR -1.1-011	Fuel Pipe Pressure Plate Unit	1
12	KS 9200HDE ATSR -1.1-012	Rear Air Guide Plate	2
13	KS 9200HDE ATSR -1.1-013	Elastic Washers 6	2

2. ENGINE PARTS LIST

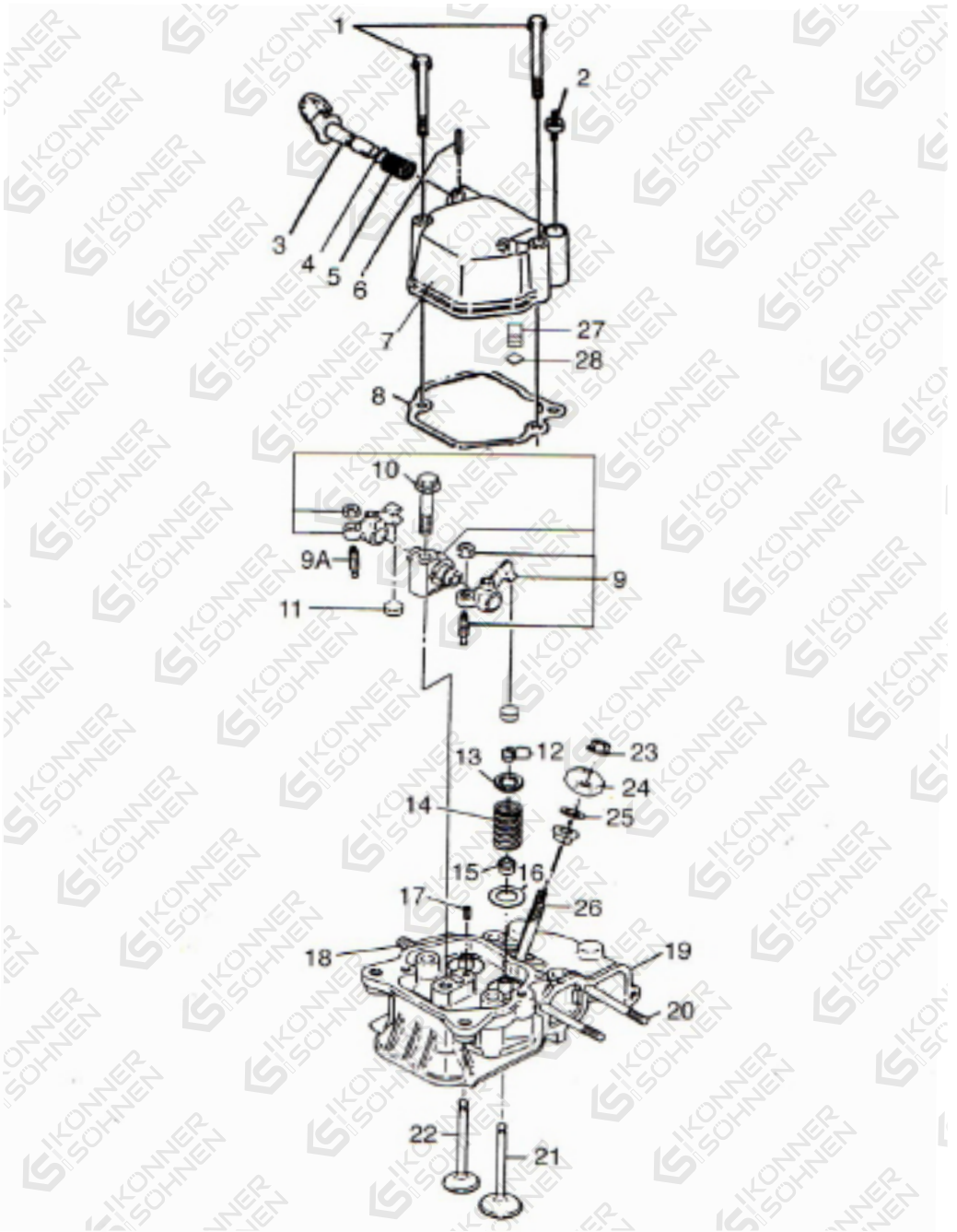
2.1 Part of cylinder block side cover



No	REF. No	DESCRIPTION	QTY
3	KS 9200HDE ATSR-2.1-003	Nut of tylander head(long)	2
4	KS 9200HDE ATSR-2.1-004	Nut of tylander head(shoer)	2
5	KS 9200HDE ATSR-2.1-005	Gasket of nut of cylinder head	4
6	KS 9200HDE ATSR-2.1-006	Gasket of cylinder head(0.2-0.5)	1
7	KS 9200HDE ATSR-2.1-007	Rectangle ring	1
8	KS 9200HDE ATSR-2.1-008	Bolt of cylinder head(long)	2
9	KS 9200HDE ATSR-2.1-009	Bolt of cylinder head(short)	2
10	KS 9200HDE ATSR-2.1-010	Cylinder block	1
11	KS 9200HDE ATSR-2.1-011	Reat oil Sealing 35×50×8	1
12	KS 9200HDE ATSR-2.1-012	Cock of oil draining	1
13	KS 9200HDE ATSR-2.1-013	Gaske of cock of oil draining	1
14	KS 9200HDE ATSR-2.1-014	"O" type ring 24×2.4	2
15	KS 9200HDE ATSR-2.1-015	86FAstening bolt of fuel injection pump(short)	1
16	KS 9200HDE ATSR-2.1-016	86FAstening bolt of fuel injection pump(long)	2
17	KS 9200HDE ATSR-2.1-017	Adjusting gasket of fuel injdctor(0.1-0.5)	1
18	KS 9200HDE ATSR-2.1-018	Dispick of lubricating oil	2

No	REF. No	DESCRIPTION	QTY
19	KS 9200HDE ATSR-2.1-019	Nut M6	3
20	KS 9200HDE ATSR-2.1-020	Gasket of sealing plate	1
21	KS 9200HDE ATSR-2.1-021	Sealing plate	1
22	KS 9200HDE ATSR-2.1-022	Thrust piece	1
23	KS 9200HDE ATSR-2.1-023	Bolt with flange 86FAce M8×14(GB5789-86)	1
24	KS 9200HDE ATSR-2.1-024	Needle bearing 7941/8	2
25	KS 9200HDE ATSR-2.1-025	Ball bearing 6308(GB/T276-94)	1
26	KS 9200HDE ATSR-2.1-026	Gasket of crankcase cove	1
27	KS 9200HDE ATSR-2.1-027	Bearing 6207 (GB/T276-94)	1
28	KS 9200HDE ATSR-2.1-028	Retaining pin 8x12 (GB119-86)	2
29	KS 9200HDE ATSR-2.1-029	Fuel Pipe	1
30	KS 9200HDE ATSR-2.1-030	Crankcase cover	1
31	KS 9200HDE ATSR-2.1-031	Inner Hexagon Plug G1/8	1
32	KS 9200HDE ATSR-2.1-032	M8 x 33.5 Bolt(10.9)	16
33	KS 9200HDE ATSR-2.1-033	Front oil seal 35 x 50 x 10	1
35	KS 9200HDE ATSR-2.1-035	Main Bush	1
38	KS 9200HDE ATSR-2.1-038	Aluminum Plug Diameter 8 x 8	3

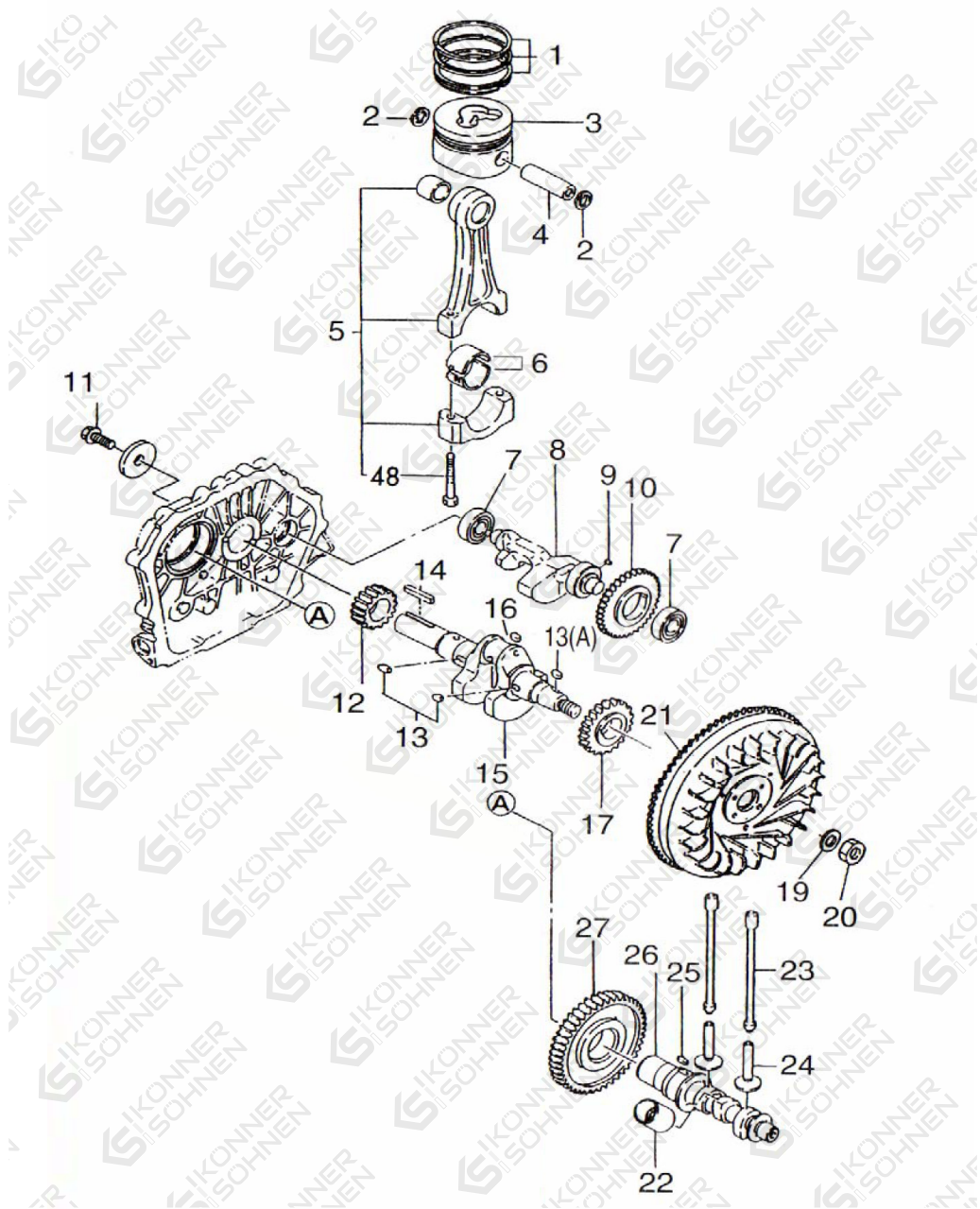
2.2 Cylinder head cover and cylinder head assembly



No	REF. No	DESCRIPTION	QTY
1	KS 9200HDE ATSR-2.2-001	Bolt with flange 86FAce M6×75(GB5789-86)	3
2	KS 9200HDE ATSR-2.2-002	Oiling screw plug	1
3	KS 9200HDE ATSR-2.2-003	Paer of decompression shaft	1
4	KS 9200HDE ATSR-2.2-004	"O"ring 10×1.9 (GB1235-76)	1
5	KS 9200HDE ATSR-2.2-005	Decompression spring	1
6	KS 9200HDE ATSR-2.2-006	Retaining pin 3×16(GB119-86)	1
7	KS 9200HDE ATSR-2.2-007	Cylinder head cover	1
8	KS 9200HDE ATSR-2.2-008	Gasket of cylinder head cover	1
9	KS 9200HDE ATSR-2.2-009	Rocker arm	1
9A	KS 9200HDE ATSR-2.2-009A	Adjusting screw of vavle gap	2
10	KS 9200HDE ATSR-2.2-010	86FAstened bolt of rocker arm shaft	2
11	KS 9200HDE ATSR-2.2-011	Valve adjusting packing	2
12	KS 9200HDE ATSR-2.2-012	Valve clip	4
13	KS 9200HDE ATSR-2.2-013	Valve spring seat	2
14	KS 9200HDE ATSR-2.2-014	Valve sping	2

No	REF. No	DESCRIPTION	QTY
15	KS 9200HDE ATSR-2.2-015	Oil seal of valve guide	2
16	KS 9200HDE ATSR-2.2-016	Spring washer of valve	2
17	KS 9200HDE ATSR-2.2-017	Pin 4 x 8 (GB119-86)	1
18	KS 9200HDE ATSR-2.2-018	Double ends stud AM8 x 20 (GB899-88)	2
19	KS 9200HDE ATSR-2.2-019	Mechanical process parts of cylinder head	1
20	KS 9200HDE ATSR-2.2-020	Bolt M6 x75	2
21	KS 9200HDE ATSR-2.2-021	Intake valve	1
22	KS 9200HDE ATSR-2.2-022	Exhaust valve	1
23	KS 9200HDE ATSR-2.2-023	Nut M6(GB6177-86)	2
24	KS 9200HDE ATSR-2.2-024	Press plate of fuel injector	1
25	KS 9200HDE ATSR-2.2-025	Adjusting gasket of fuel injector	1
26	KS 9200HDE ATSR-2.2-026	86Fastened bolt of fuel injector M6x25	2
27	KS 9200HDE ATSR-2.2-027	Breather assembly	1
28	KS 9200HDE ATSR-2.2-028	"O" type ring 12x1.9	1

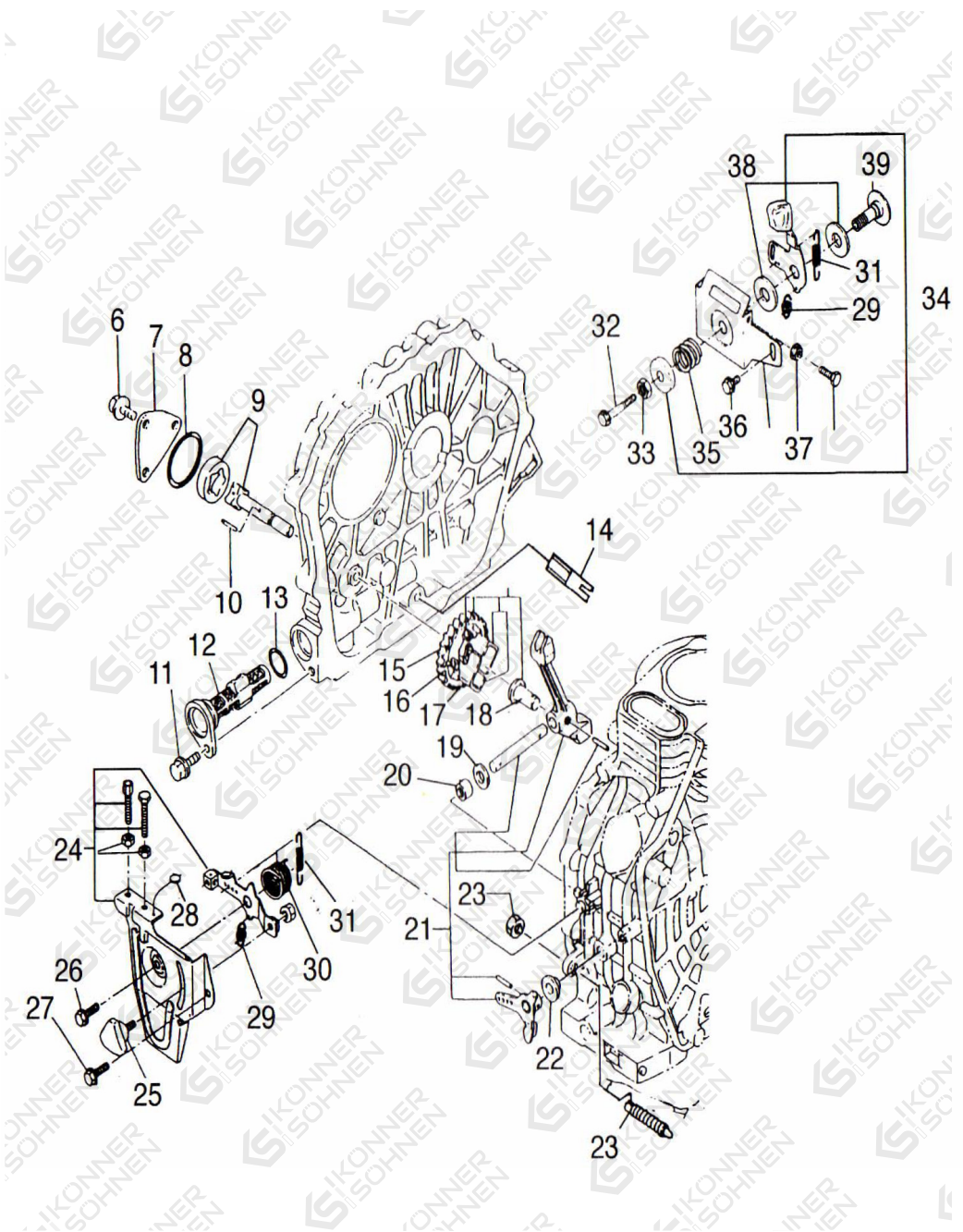
2.3 Piston connecting rod and crankshaft balancing mechanism



No	REF. No	DESCRIPTION	QTY
1	KS 9200HDE ATSR-2.3-001	Piston ring group	1
2	KS 9200HDE ATSR-2.3-002	Retainer of piston pin $\Phi 23$	2
3	KS 9200HDE ATSR-2.3-003	Piston	1
4	KS 9200HDE ATSR-2.3-004	Piston pin	1
5	KS 9200HDE ATSR-2.3-005	Connecting rod body	1
6	KS 9200HDE ATSR-2.3-006	Connecting rod bush	1
7	KS 9200HDE ATSR-2.3-007	Bearing 6203(GB/T276-94)	2
8	KS 9200HDE ATSR-2.3-008	Balancing shaft	1
9	KS 9200HDE ATSR-2.3-009	Key 5×7 (GB1096-79)	1
10	KS 9200HDE ATSR-2.3-010	Balancing shaft timing gear	1
11	KS 9200HDE ATSR-2.3-011	Bolt (for F shaft accompany with the diesel engine)	1
12	KS 9200HDE ATSR-2.3-012	Crankshaft timing gear	1
13	KS 9200HDE ATSR-2.3-013	Key 5×12 (GB1096-79)	2
13A	KS 9200HDE ATSR-2.3-013A	Key 5×14(GB1096-79)	1
14	KS 9200HDE ATSR-2.3-014	Key 6×63(GB1096-79)	1

No	REF. No	DESCRIPTION	QTY
15	KS 9200HDE ATSR-2.3-015	Crankshaft	1
16	KS 9200HDE ATSR-2.3-016	Plug 6×8	1
17	KS 9200HDE ATSR-2.3-017	Driving gear of balancing shaft	1
19	KS 9200HDE ATSR-2.3-019	Gasket for nut of flywheel	1
20	KS 9200HDE ATSR-2.3-020	Nut of flywheel	1
21	KS 9200HDE ATSR-2.3-021	Gear ring of flywheel (for starting motor)	1
22	KS 9200HDE ATSR-2.3-022	Sleeve of fuel pump tappet	1
23	KS 9200HDE ATSR-2.3-023	Push rod	2
24	KS 9200HDE ATSR-2.3-024	Tappet	2
25	KS 9200HDE ATSR-2.3-025	Key 4×14(GB1096-79)	1
26	KS 9200HDE ATSR-2.3-026	Camshaft	1
27	KS 9200HDE ATSR-2.3-027	Camshaft timing gear	1

2.4 Lubricating and speed –control system

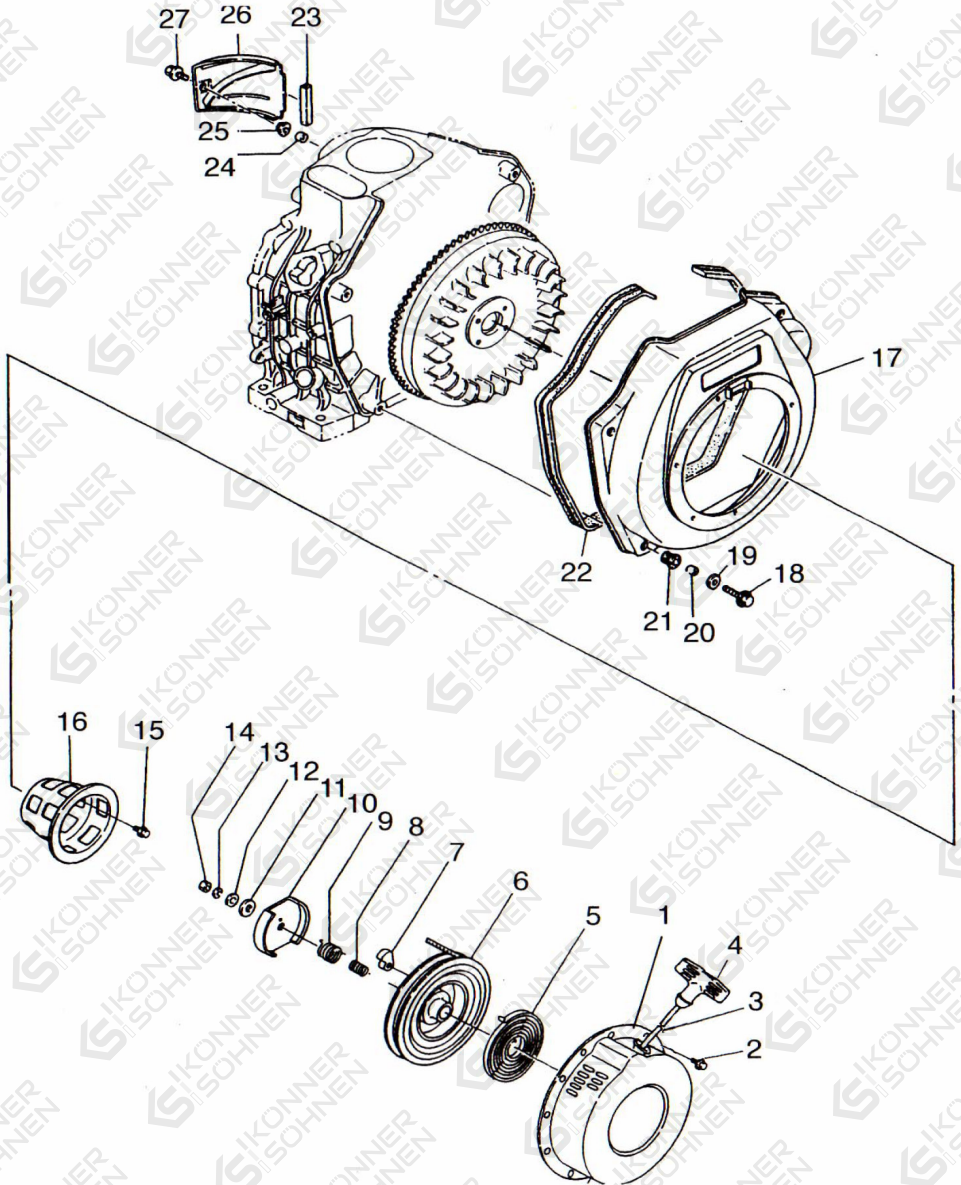


No	REF. No	DESCRIPTION	QTY
6	KS 9200HDE ATSR-2.4-006	M6 x 12 (GB5787-86) Bolt	3
7	KS 9200HDE ATSR-2.4-007	Oil pump cover	1
8	KS 9200HDE ATSR-2.4-008	O ring 34.5 x 1.8 (GB3452.1-82)	1
9	KS 9200HDE ATSR-2.4-009	Oil Pump	1
10	KS 9200HDE ATSR-2.4-010	pin 3 x 16 (GB119-82)	1
11	KS 9200HDE ATSR-2.4-011	M6 x 14 (GB5789-86)	1
12	KS 9200HDE ATSR-2.4-012	Oil filter cleaning element	1
13	KS 9200HDE ATSR-2.4-013	Sealing ring 20 x 2.65	1
14	KS 9200HDE ATSR-2.4-014	Oil Guide	1
15	KS 9200HDE ATSR-2.4-015	Oil pump driving gear	1
16	KS 9200HDE ATSR-2.4-016	Fly block pin	1
17	KS 9200HDE ATSR-2.4-017	Fly block	2
18	KS 9200HDE ATSR-2.4-018	Tappet of governor fork	1
19	KS 9200HDE ATSR-2.4-019	Lever shaft gasket	2
20	KS 9200HDE ATSR-2.4-020	Bearing 7941/8 (GB290-64)	2

No	REF. No	DESCRIPTION	QTY
21	KS 9200HDE ATSR-2.4-021	Fork lever assembly	1
22	KS 9200HDE ATSR-2.4-022	Lever shaft seal	1
23	KS 9200HDE ATSR-2.4-023	Fuel controller parts	1
24	KS 9200HDE ATSR-2.4-024	Handle bracket	1
25	KS 9200HDE ATSR-2.4-025	Speed-control lever	1
26	KS 9200HDE ATSR-2.4-026	M6 x 14 (GB5787-86)	1
27	KS 9200HDE ATSR-2.4-027	M6 x 18 (GB5787-86)	1
28	KS 9200HDE ATSR-2.4-028	Lead seal	1
29	KS 9200HDE ATSR-2.4-029	Return spring 2	1
30	KS 9200HDE ATSR-2.4-030	Return spring 1	1
31	KS 9200HDE ATSR-2.4-031	Speed-control spring	1
32	KS 9200HDE ATSR-2.4-032	M6 x 45 (GB6172-86) Bolt	1
33	KS 9200HDE ATSR-2.4-033	M10 x 1.25 Nut	1
34	KS 9200HDE ATSR-2.4-034	FG parts of Lever	1
35	KS 9200HDE ATSR-2.4-035	FG governor spring	1
36	KS 9200HDE ATSR-2.4-036	M6 x 14 (GB5789-86) Bolt	1

No	REF. No	DESCRIPTION	QTY
37	KS 9200HDE ATSR-2.4-037	M6 (GB39-88) Nut	2
38	KS 9200HDE ATSR-2.4-038	Washer	1
39	KS 9200HDE ATSR-2.4-039	Short Handle	1

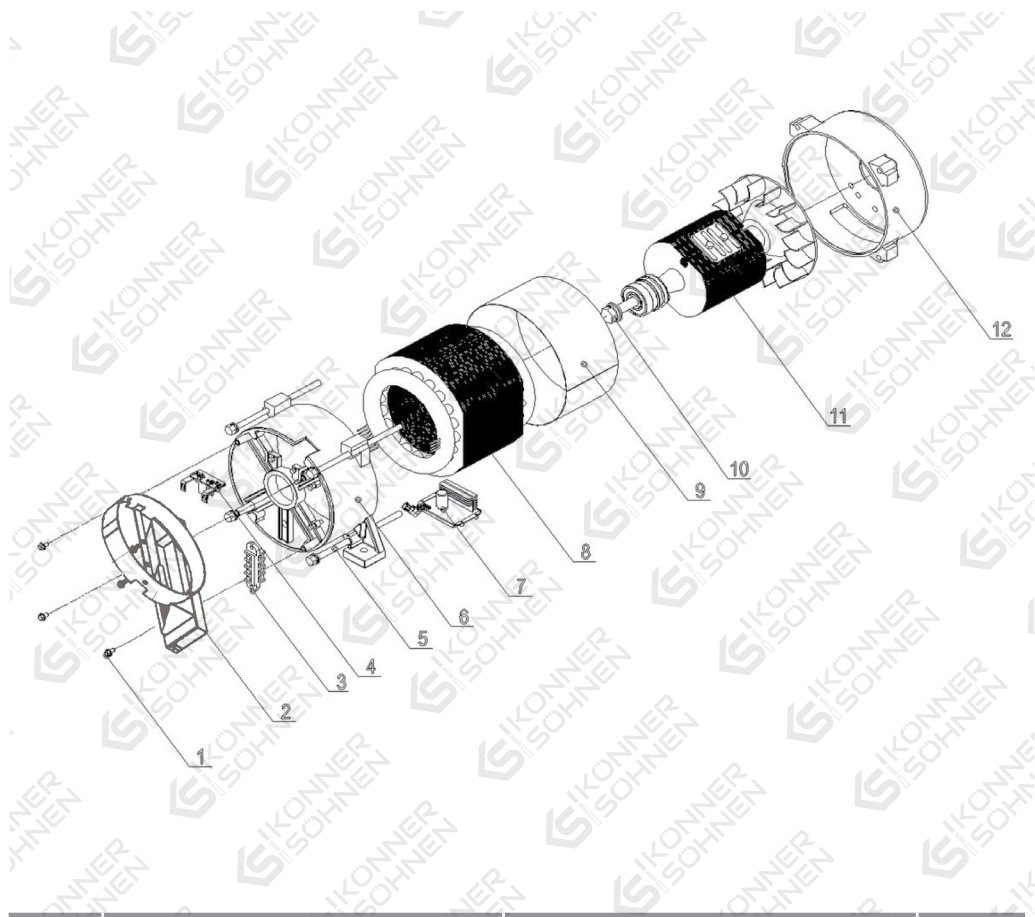
2.5 Cooling and recoil starting system



No	REF. No	DESCRIPTION	QTY
1	KS 9200HDE ATSR-2.5-001	Recoil start assembly	1
2	KS 9200HDE ATSR-2.5-002	Bolt M6 x 8 (GB5787-86)	4
3	KS 9200HDE ATSR-2.5-003	Starter rope	1
4	KS 9200HDE ATSR-2.5-004	Starter handle	1
5	KS 9200HDE ATSR-2.5-005	Flat Torsional spring	1
6	KS 9200HDE ATSR-2.5-006	Reel	1
7	KS 9200HDE ATSR-2.5-007	Starting claw	1
8	KS 9200HDE ATSR-2.5-008	Helical spring	1
9	KS 9200HDE ATSR-2.5-009	Torsional spring	1
10	KS 9200HDE ATSR-2.5-010	Starting claw plate	1
11	KS 9200HDE ATSR-2.5-011	Friction plate	1
12	KS 9200HDE ATSR-2.5-012	Friction plate gasket	1
13	KS 9200HDE ATSR-2.5-013	Spring washer	1
14	KS 9200HDE ATSR-2.5-014	M8 Nut	1
15	KS 9200HDE ATSR-2.5-015	M8 x 18	4

No	REF. No	DESCRIPTION	QTY
16	KS 9200HDE ATSR-2.5-016	Starter	1
17	KS 9200HDE ATSR-2.5-017	Recoil starter cover	1
18	KS 9200HDE ATSR-2.5-018	M6 x 22 (GB5787-86) Bolt	5
19	KS 9200HDE ATSR-2.5-019	M6 washer (GB90-85)	4
20	KS 9200HDE ATSR-2.5-020	Collar	4
21	KS 9200HDE ATSR-2.5-021	Shock absorber	4
22	KS 9200HDE ATSR-2.5-022	Shock pads	1
23	KS 9200HDE ATSR-2.5-023	Shock isolator	1
24	KS 9200HDE ATSR-2.5-024	Collar	1
25	KS 9200HDE ATSR-2.5-025	Pad	1
26	KS 9200HDE ATSR-2.5-026	Wind leading plate	1
27	KS 9200HDE ATSR-2.5-027	M6 x 22 (shaped piece) Bolt	1

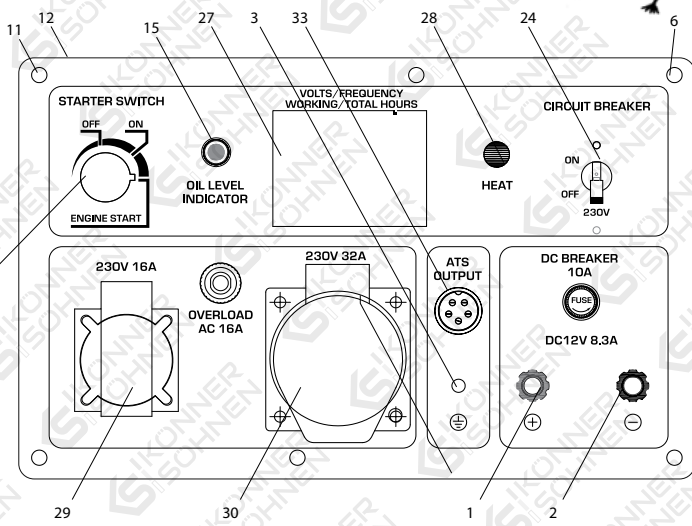
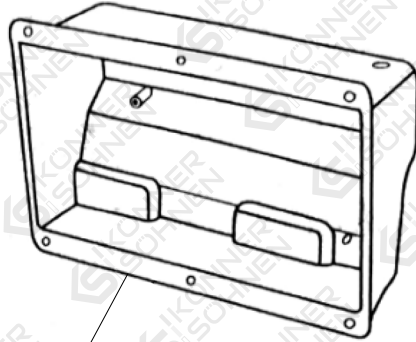
3. PARTS OF ALTERNATOR



No	REF. No	DESCRIPTION	QTY
1	KS 9200HDE ATSR-3-001	Boltwith flangeface	4
2	KS 9200HDE ATSR-3-002	Tail cover	1
3	KS 9200HDE ATSR-3-003	Line bank	1
4	KS 9200HDE ATSR-3-004	Carbin brush	1

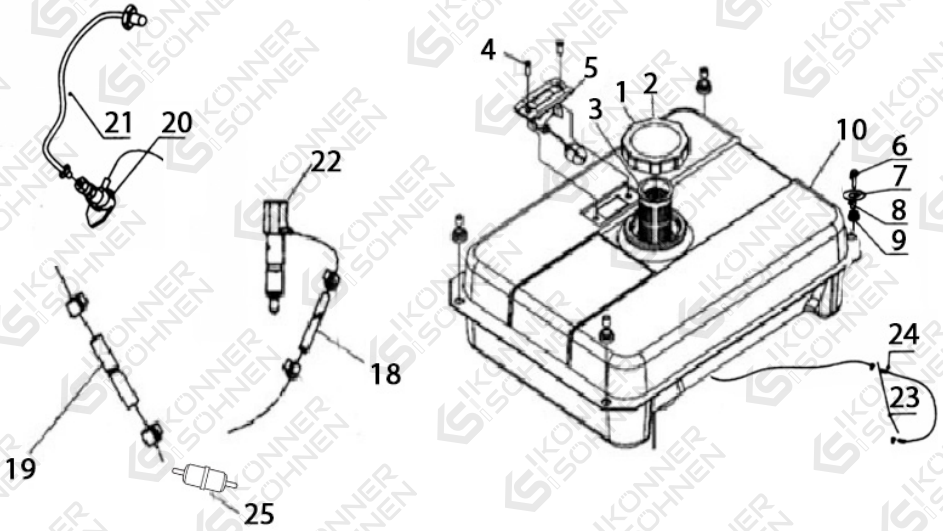
No	REF. No	DESCRIPTION	QTY
5	KS 9200HDE ATSR-3-005	Boltwith flangeface	4
6	KS 9200HDE ATSR-3-006	Rear end cober	1
7	KS 9200HDE ATSR-3-007	AVR	1
8	KS 9200HDE ATSR-3-008	Stator	1
9	KS 9200HDE ATSR-3-009	Shield	1
10	KS 9200HDE ATSR-3-010	Center bolt	1
11	KS 9200HDE ATSR-3-011	Rotor	1
12	KS 9200HDE ATSR-3-012	Front end cover	1

4. PARTS OF PANEL



No	REF. No	DESCRIPTION	QTY
1	KS 9200HDE ATSR-4-001	Positive DC port	1
2	KS 9200HDE ATSR-4-002	Negative DC port	1
3	KS 9200HDE ATSR-4-003	Grounded bolt	1
5	KS 9200HDE ATSR-4-005	Large Nut	1
6	KS 9200HDE ATSR-4-006	Bolt	2
11	KS 9200HDE ATSR-4-011	Electric panel bolt M6x20	6
12	KS 9200HDE ATSR-4-012	Electric panel	1
13	KS 9200HDE ATSR-4-013	Starter switch	1
14	KS 9200HDE ATSR-4-014	Nut M4	8
15	KS 9200HDE ATSR-4-015	Oil alert lamp	1
18	KS 9200HDE ATSR-4-018	DC fuse	1
24	KS 9200HDE ATSR-4-024	Breaker single phase	1
25	KS 9200HDE ATSR-4-025	Wiring harness	1
26	KS 9200HDE ATSR-4-026	Electrical box	1
27	KS 9200HDE ATSR-4-027	Digital meter	1
28	KS 9200HDE ATSR-4-028	heater switch	1
29	KS 9200HDE ATSR-4-029	230V 16A socket	1
30	KS 9200HDE ATSR-4-030	230V 23A socket	1
33	KS 9200HDE ATSR-4-033	ATS socket	1

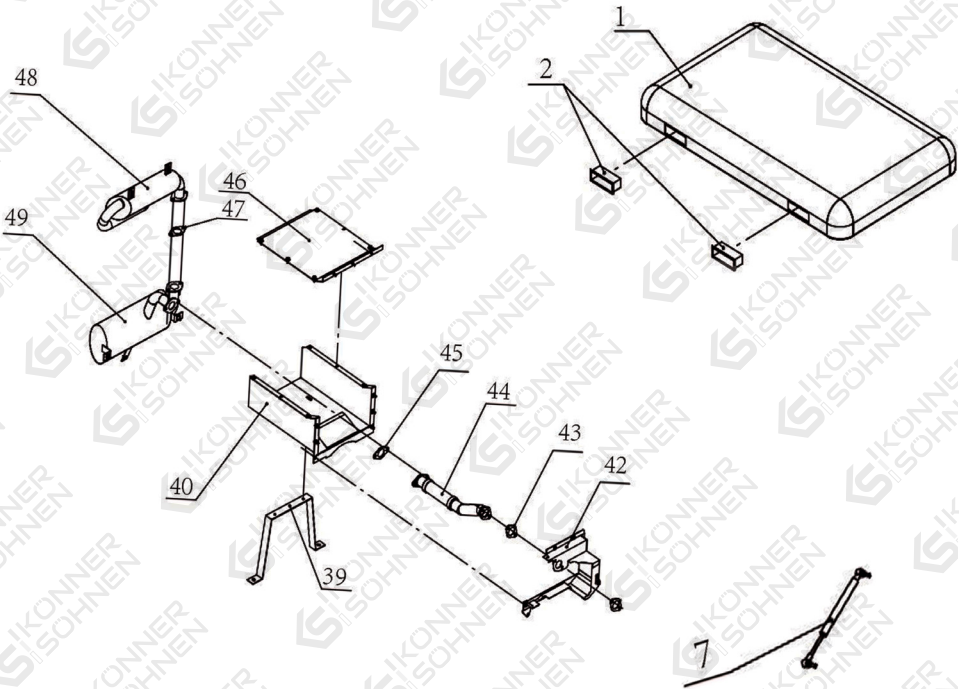
5. PARTS OF FUEL TANK

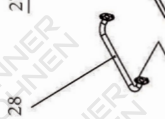
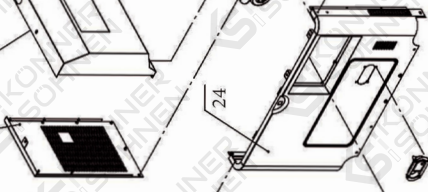
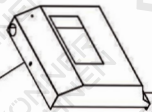
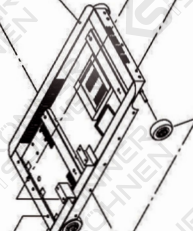
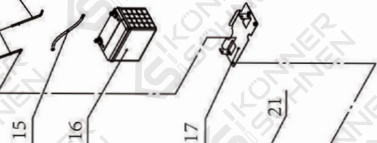
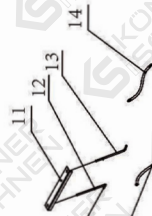
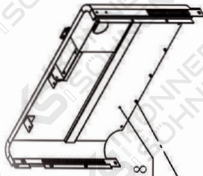


No	REF. No	DESCRIPTION	QTY
1	KS 9200HDE ATSR -5-001	Fuel cap	1
2	KS 9200HDE ATSR -5-002	Seal	1
3	KS 9200HDE ATSR -5-003	Filtering cup	1
4	KS 9200HDE ATSR -5-004	M5x10 screw	2
5	KS 9200HDE ATSR -5-005	Fuel lever indicator	1
6	KS 9200HDE ATSR -5-006	M6x25 Bolt	4
7	KS 9200HDE ATSR -5-007	Large flat washer 6	4
8	KS 9200HDE ATSR -5-008	Fuel tank lining	4

No	REF. No	DESCRIPTION	QTY
9	KS 9200HDE ATSR -5-009	Shock absorbing gasket	4
10	KS 9200HDE ATSR -5-010	Fuel tank	1
19	KS 9200HDE ATSR -5-019	Fuel inlet pipe	1
20	KS 9200HDE ATSR -5-020	High pressure fuel pump	1
21	KS 9200HDE ATSR -5-021	High pressure fuel pipe	1
22	KS 9200HDE ATSR -5-022	Fuel injector	1
23	KS 9200HDE ATSR -5-023	Overfill tube	2
24	KS 9200HDE ATSR -5-024	Fuel overfill pipe	1
25	KS 9200HDE ATSR -5-025	Fuel filter	1

6. OVERALL VIEW OF ENGINE GENERATOR ASSEMBLY



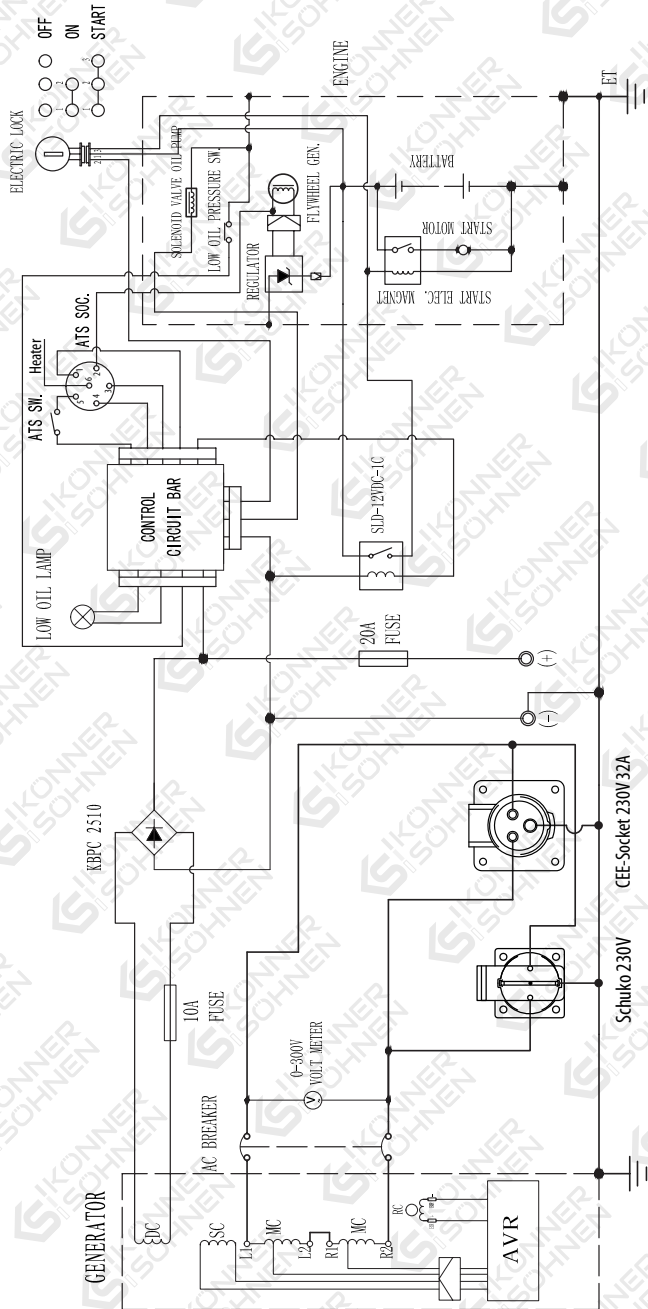


No	REF. No	DESCRIPTION	QTY
1	KS 9200HDE ATSR -9-001	Top cover	1
2	KS 9200HDE ATSR -9-002	Plastic part of top cover	2
7	KS 9200HDE ATSR -9-007	Jackstay	1
8	KS 9200HDE ATSR -9-008	Rear cover	1
11	KS 9200HDE ATSR -9-011	Battery Part 1	1
12	KS 9200HDE ATSR -9-012	Battery Part 2	1
13	KS 9200HDE ATSR -9-013	Battery Part 2	1
14	KS 9200HDE ATSR -9-014	Battery cable positive(red)	1
15	KS 9200HDE ATSR -9-015	Battery cable negative(black)	1
16	KS 9200HDE ATSR -9-016	Battery	1
17	KS 9200HDE ATSR -9-017	Battery Seat	1
18	KS 9200HDE ATSR -9-018	Side cover 1	1
19	KS 9200HDE ATSR -9-019	Chassis	1
20	KS 9200HDE ATSR -9-020	Wheel	1
21	KS 9200HDE ATSR -9-021	Handle 1	1
22	KS 9200HDE ATSR -9-022	Door lock components	1
23	KS 9200HDE ATSR -9-023	Control Panel Assembly	1
24	KS 9200HDE ATSR -9-024	Front cover	1
25	KS 9200HDE ATSR -9-025	Rubber mount	1
26	KS 9200HDE ATSR -9-026	Side cover 2	1
27	KS 9200HDE ATSR -9-027	Side cover 3	1
28	KS 9200HDE ATSR -9-028	Handle 2	1

No	REF. No	DESCRIPTION	QTY
39	KS 9200HDE ATSR -9-039	Air box Bracket	1
40	KS 9200HDE ATSR -9-040	Air box Part 1	1
41	KS 9200HDE ATSR -9-041	Carbon Brush	1
42	KS 9200HDE ATSR -9-042	Wind Leading plate 2	1
43	KS 9200HDE ATSR -9-043	Muffler gasket	1
44	KS 9200HDE ATSR -9-044	Corrugated Pipe	1
45	KS 9200HDE ATSR -9-045	Muffler gasket	1
46	KS 9200HDE ATSR -9-046	Air box Part 2	1
47	KS 9200HDE ATSR -9-047	Muffler gasket	1
48	KS 9200HDE ATSR -9-048	Muffler part 1	1
49	KS 9200HDE ATSR -9-049	Muffler part 2	1

7. ELECTRIC SCHEME

For diesel generator KS 9200HDE ATSR



CONTACTS

konner-sohnen.com

Germany

info@dimaxgroup.de

Poland

info.pl@dimaxgroup.de

Ukraine

sales@ks-power.com.ua